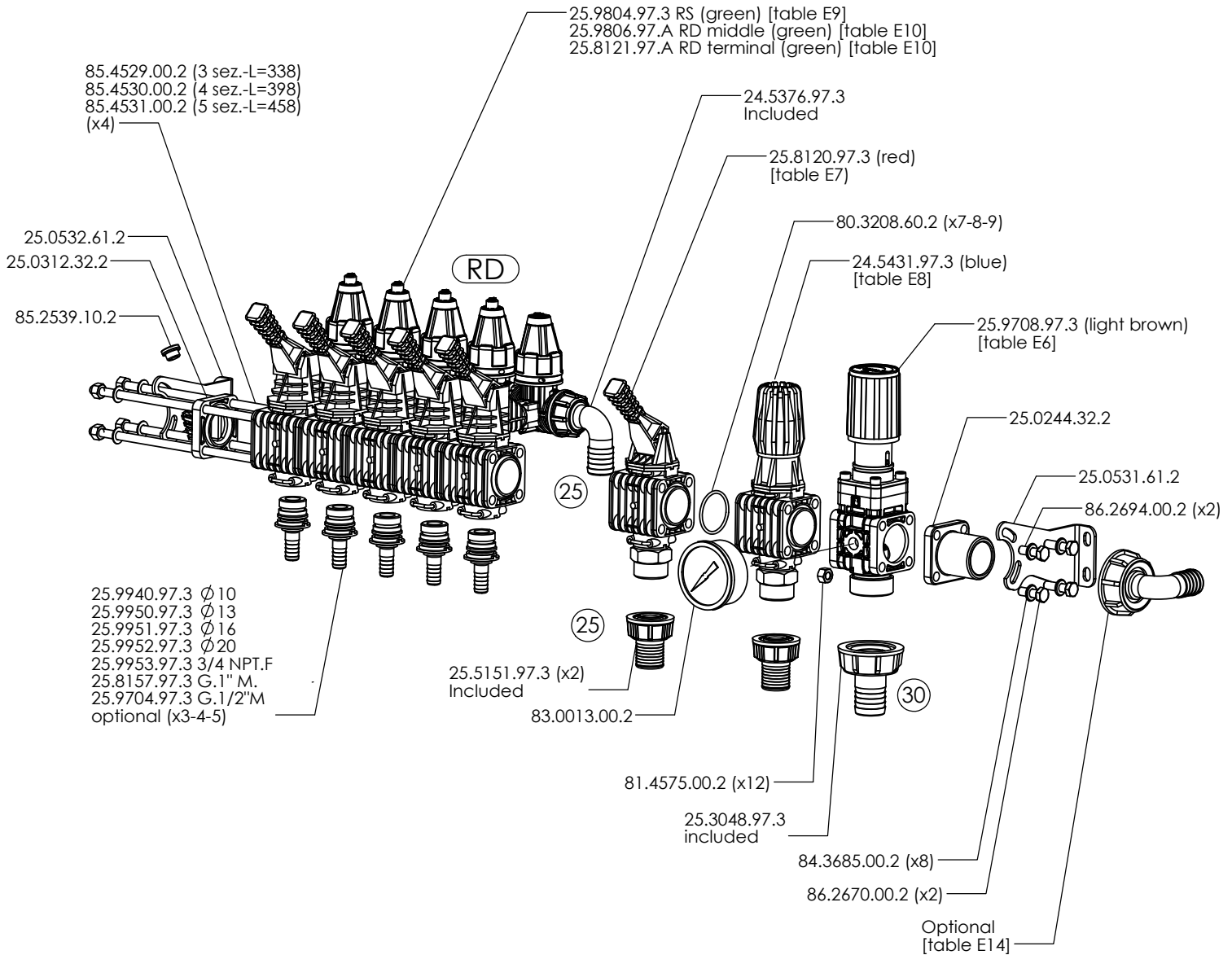


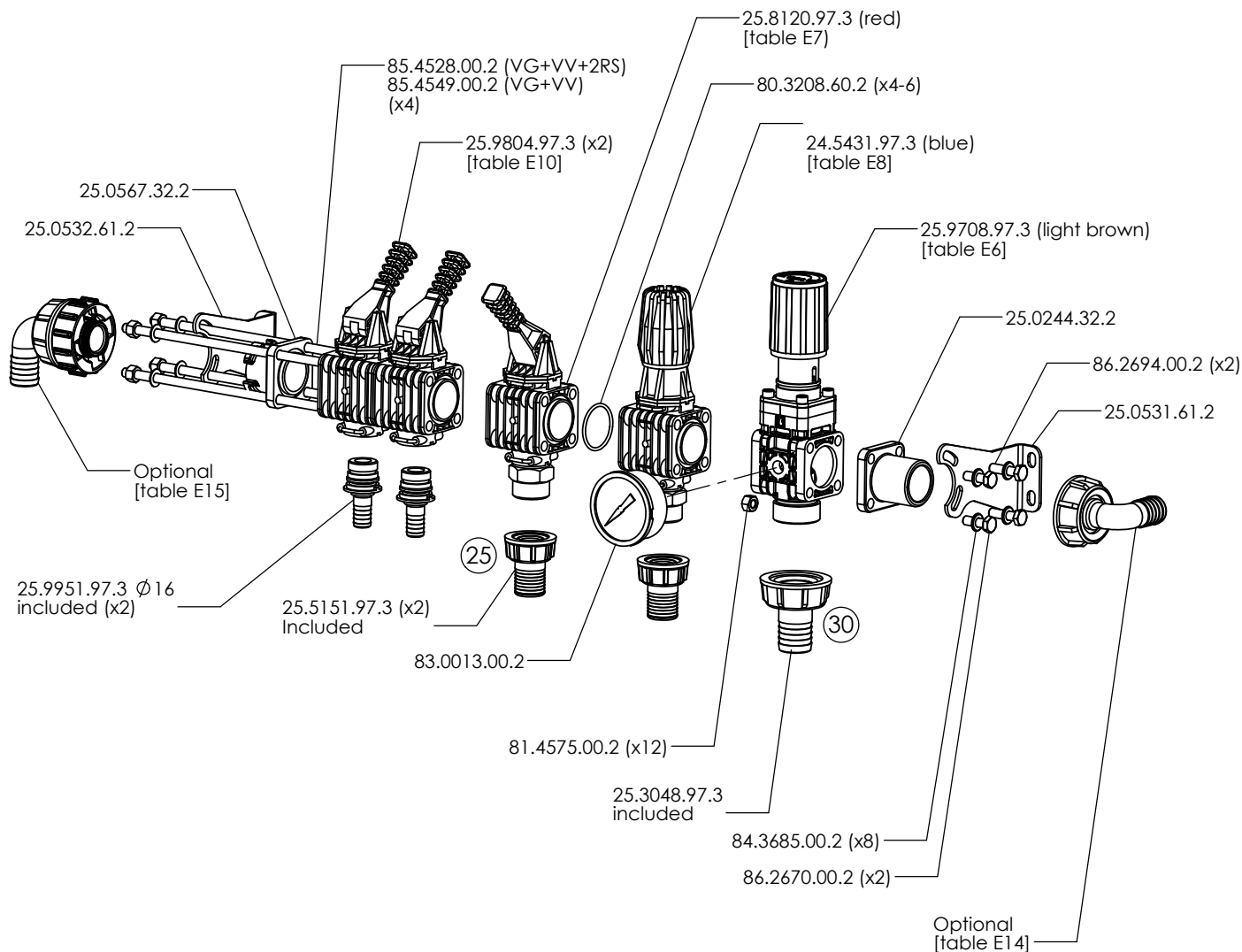
Manual units low pressure (RS/RD)

Use: /



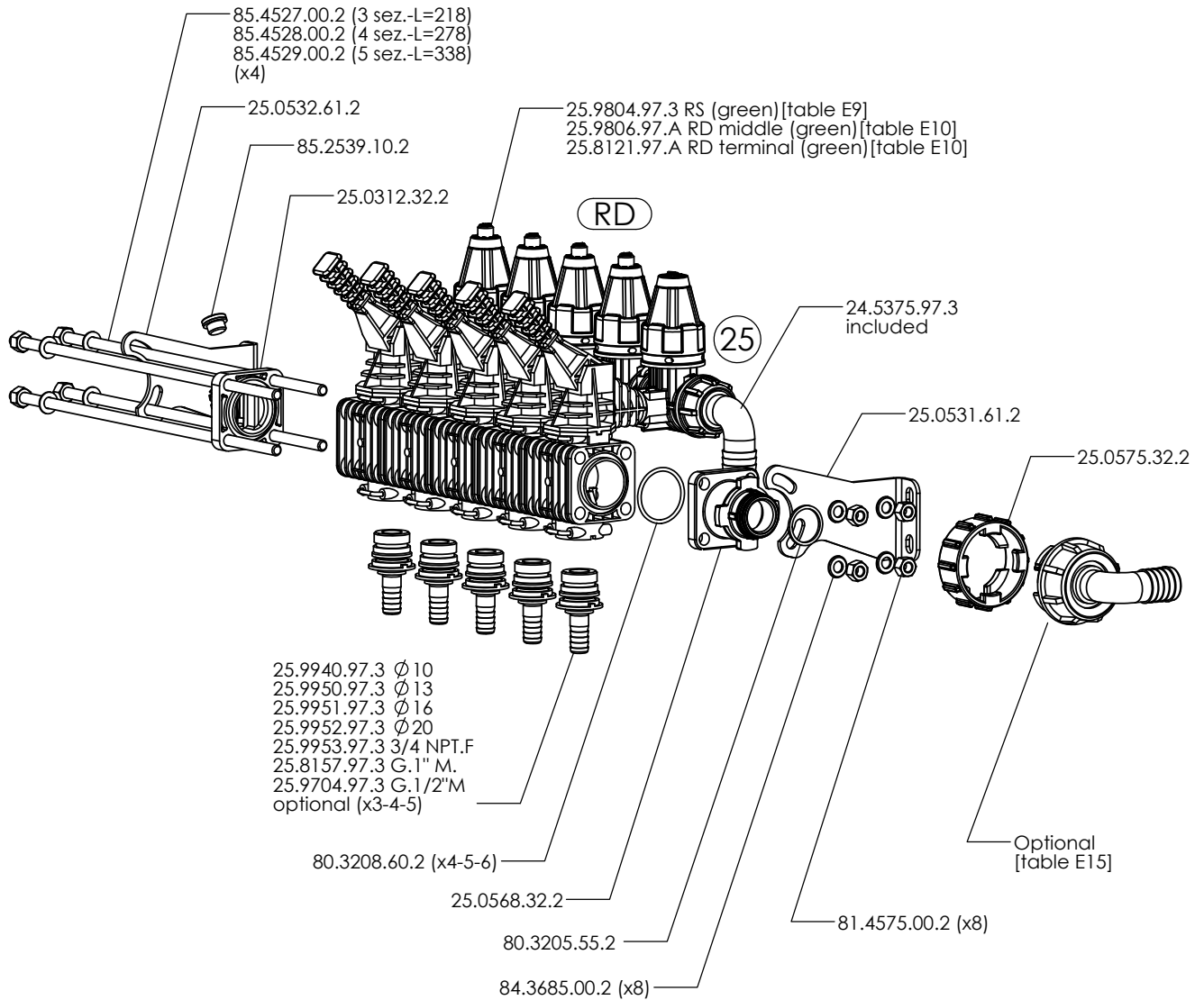
Manual regulating unit

Use: /

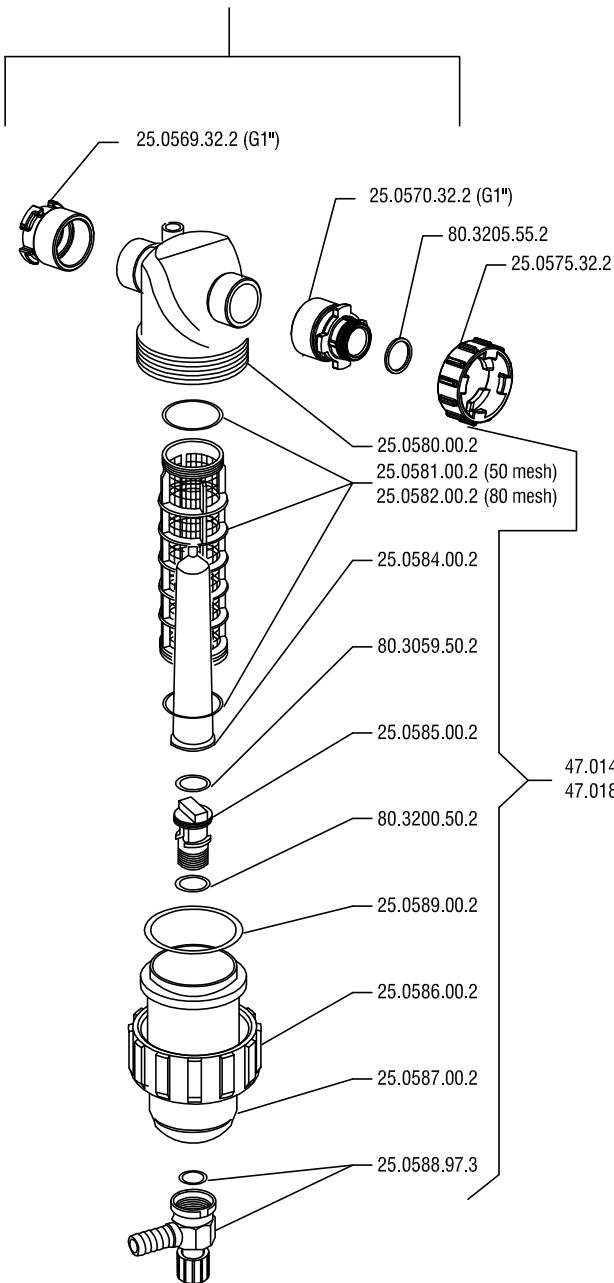


Manual sections valves assemblies (RS/RD)

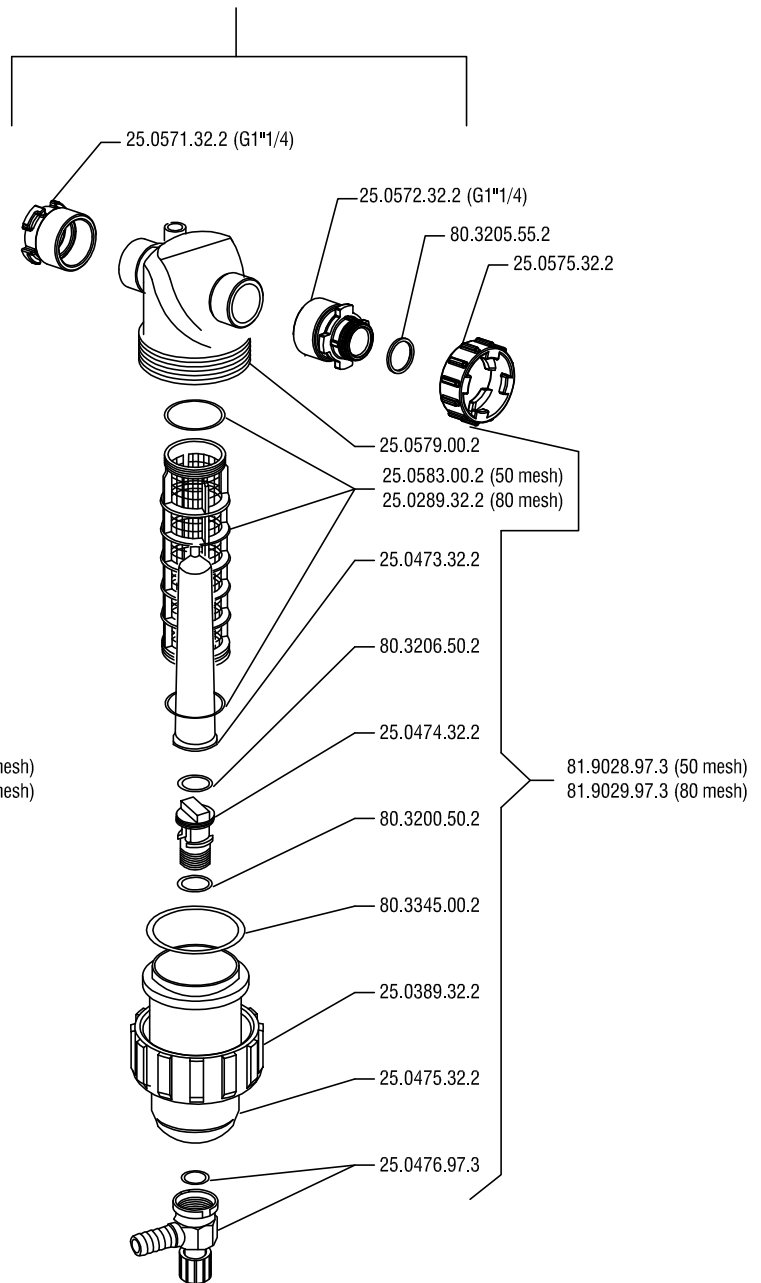
Use: /



47.0145.97.3RF (160L/min 50 mesh)
47.0188.97.3RF (160L/min 80 mesh)

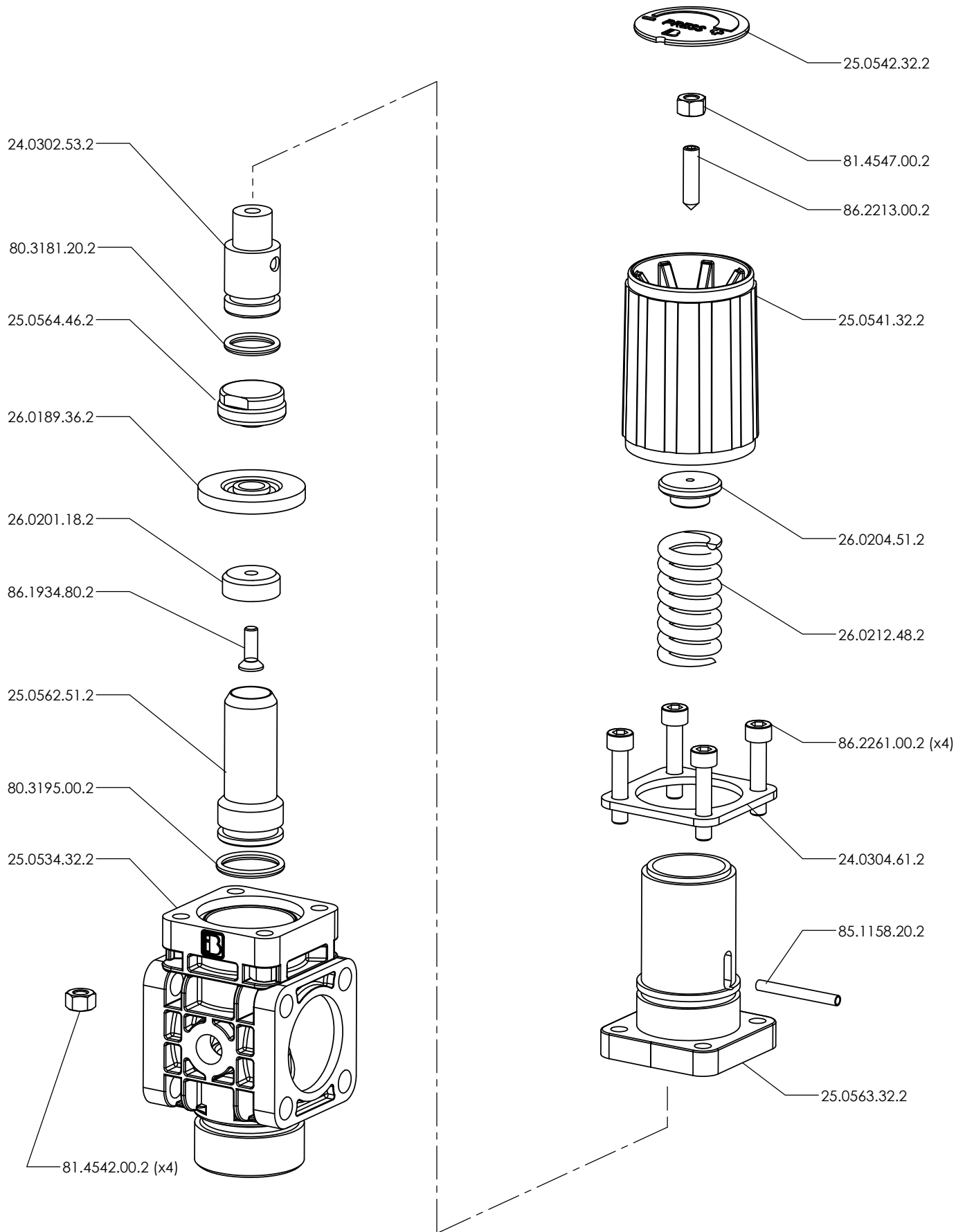


81.9028.97.3RF (280L/min 50 mesh)
81.9029.97.3RF (280L/min 80 mesh)



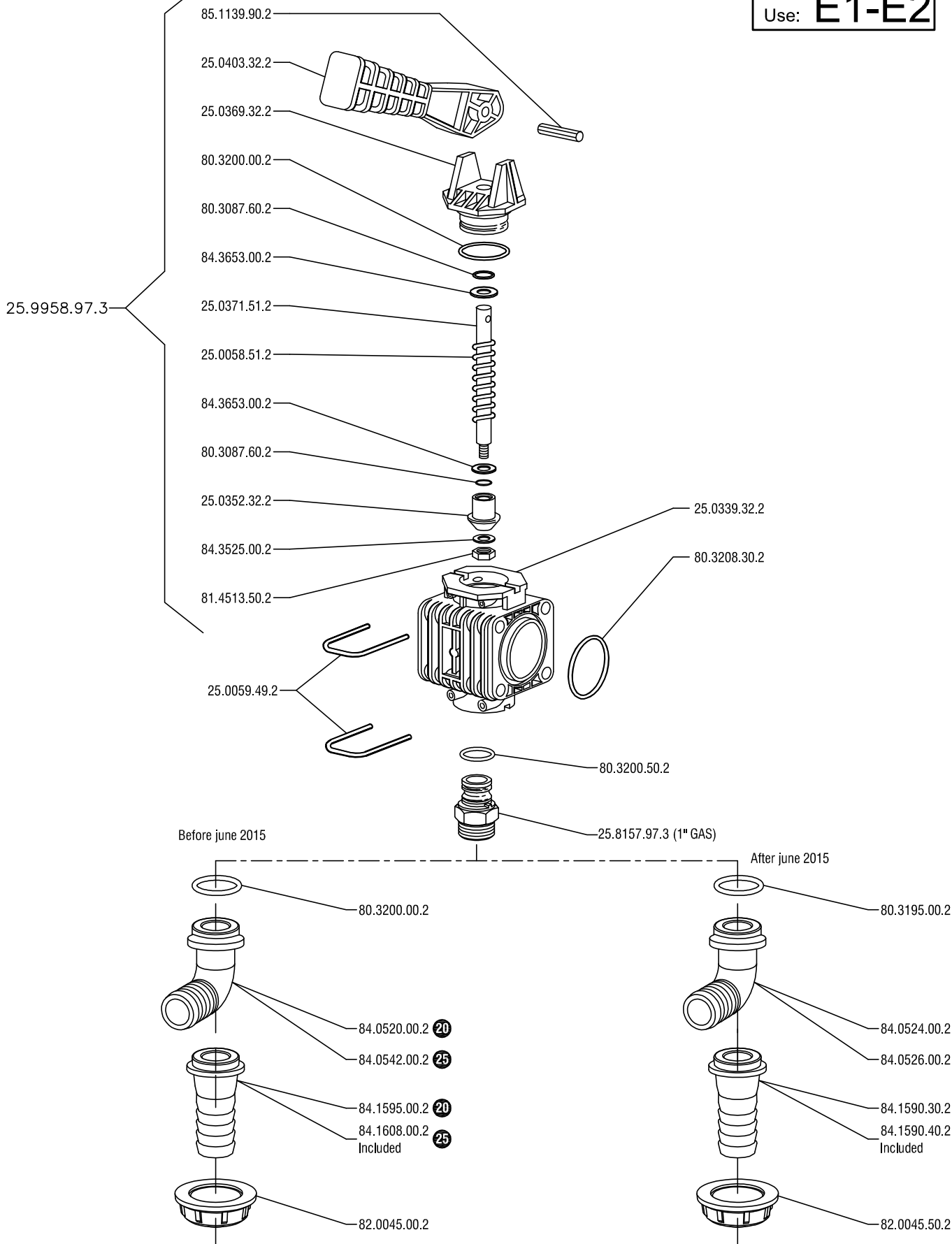
Pressure relief valve low pressure

Use: **E1-E2**

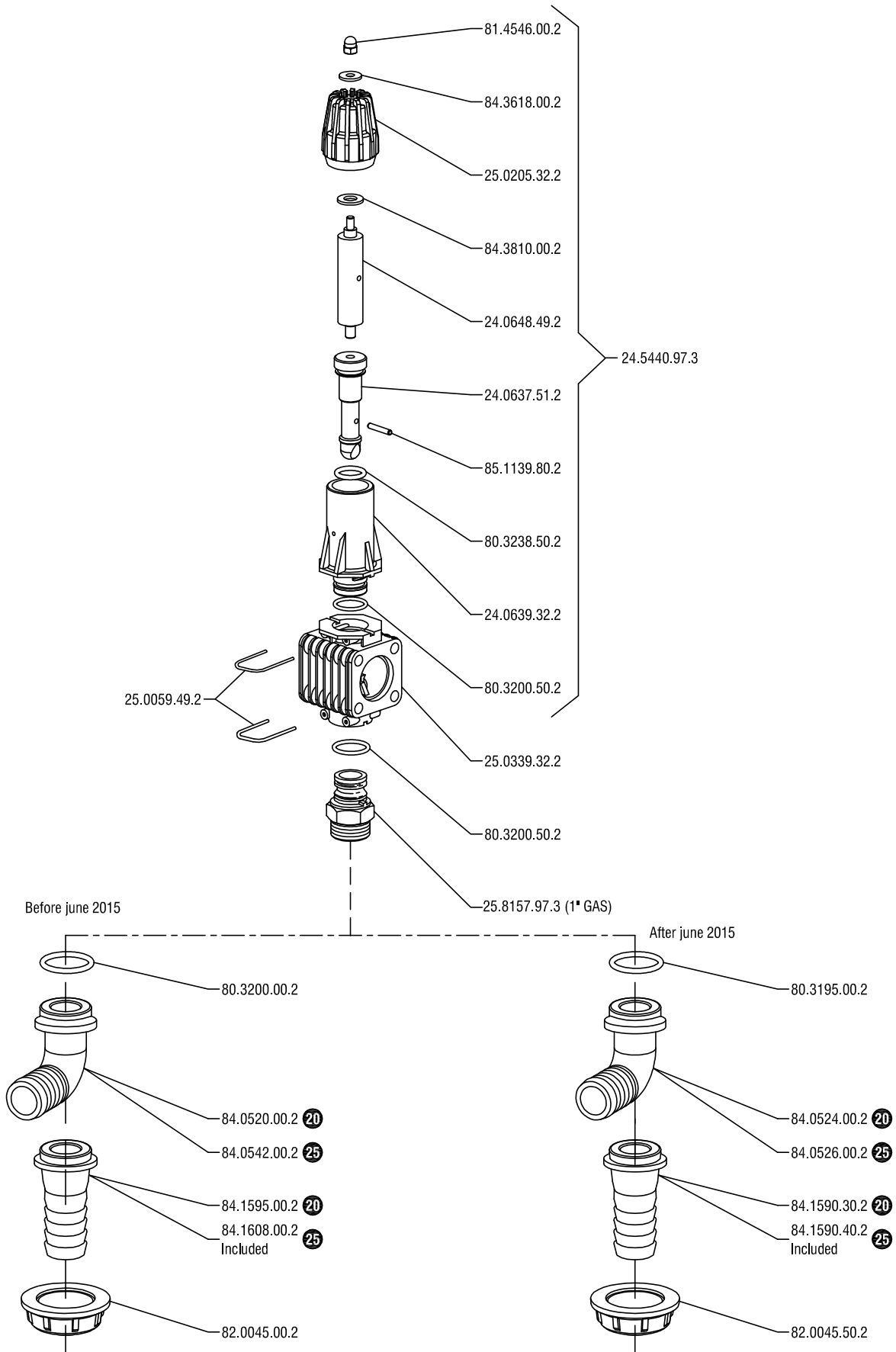


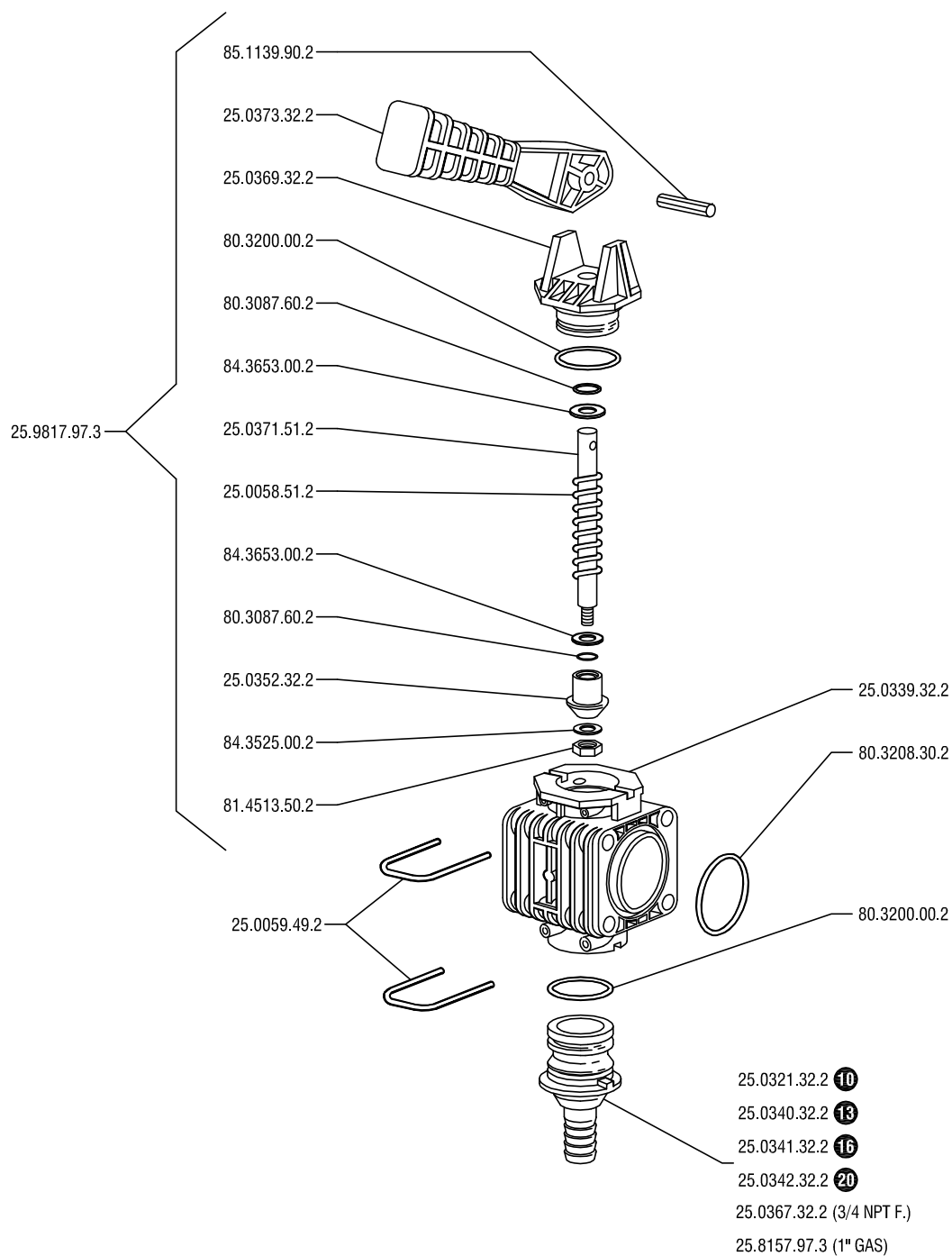
Manual on/off valve

Use: **E1-E2**



Manual volumetric valve (VPBPM)

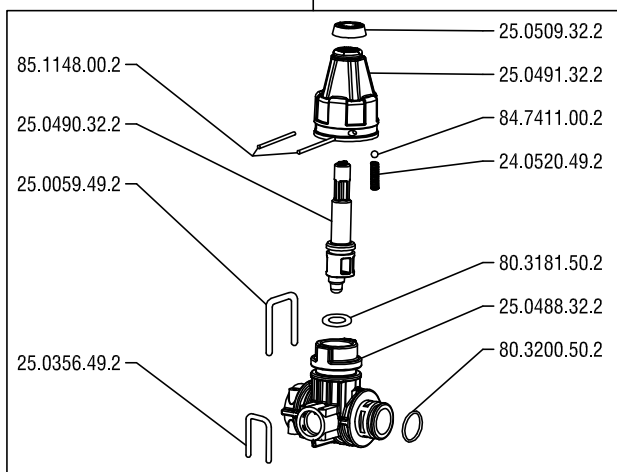




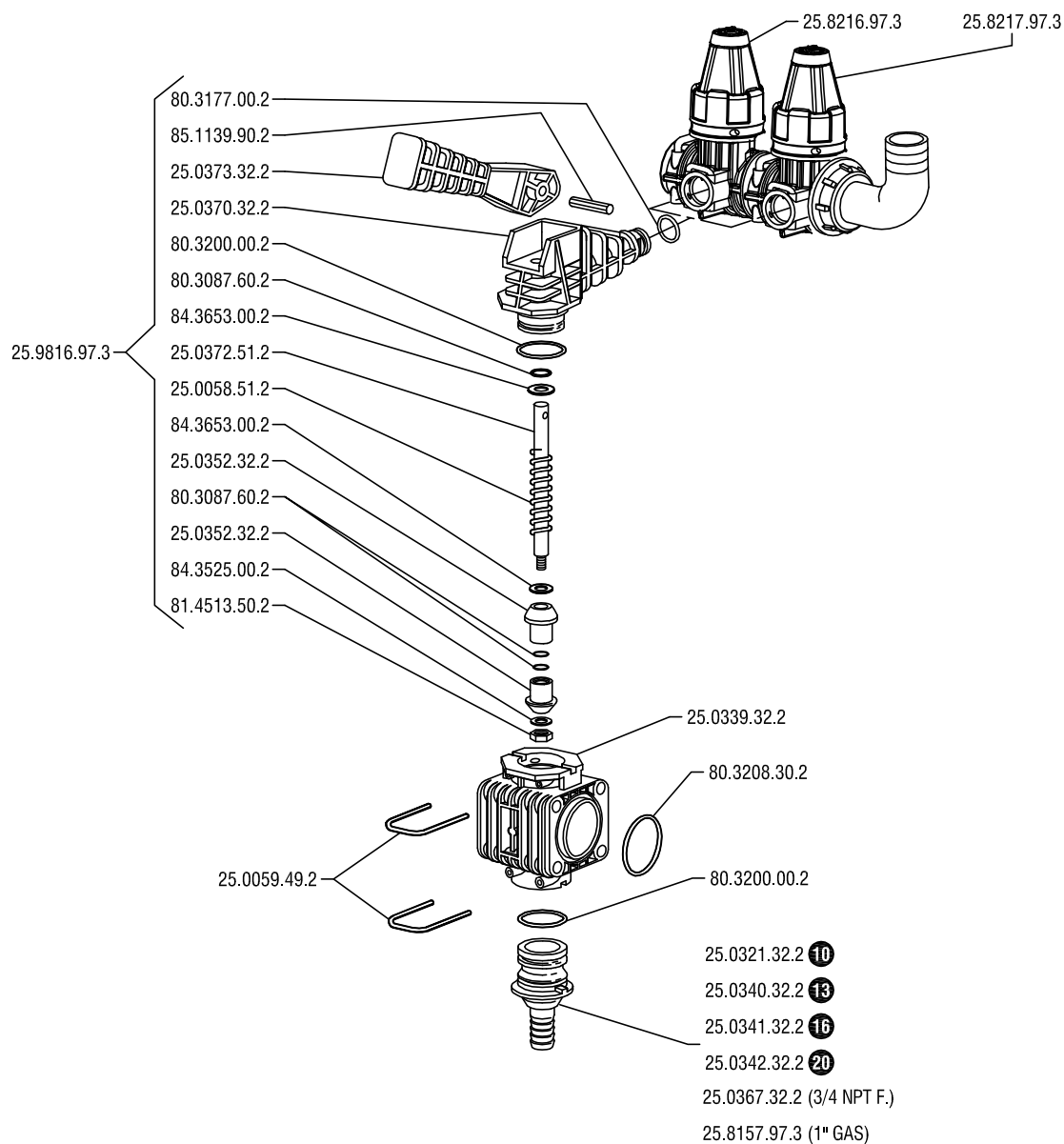
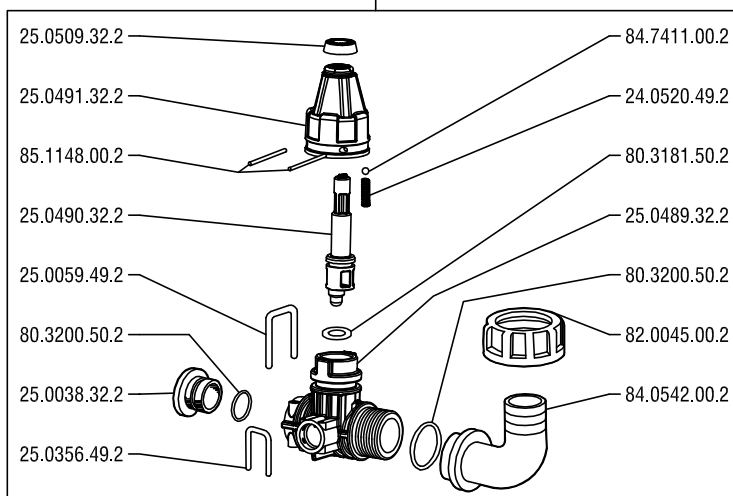
Manual section valve RD

Use: **E1-E3**

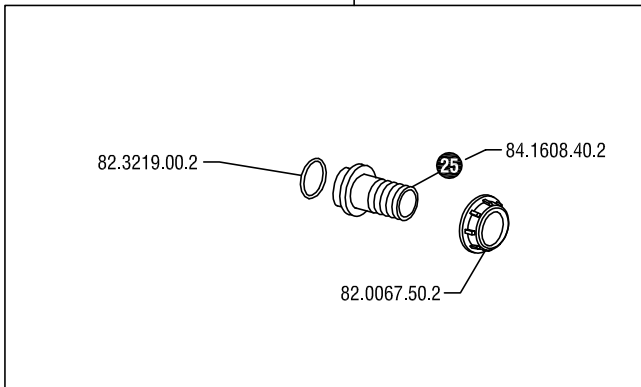
Kit by-pass intermedio
25.8216.97.3
Intermediate by-pass kit



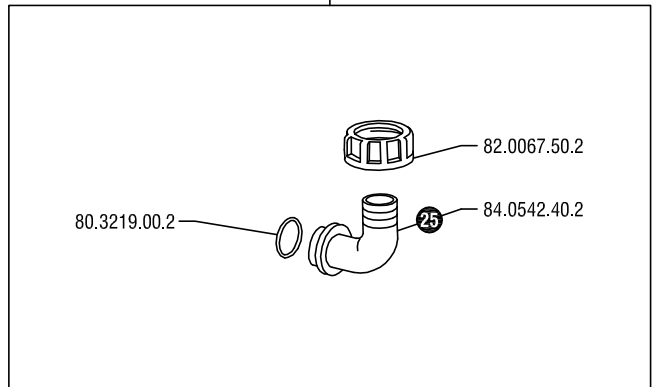
Kit by-pass termnale
25.8217.97.3
Terminal by-pass kit



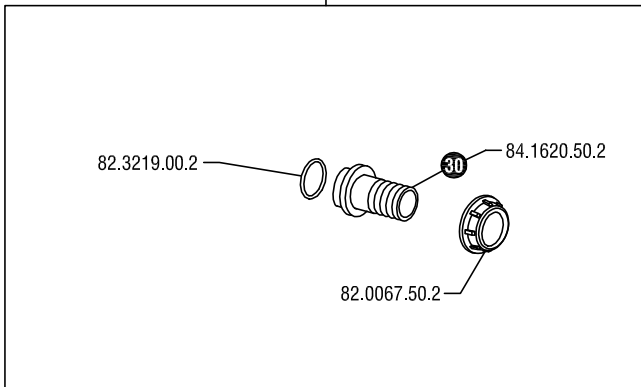
25.3047.97.3



25.3045.97.3



25.3048.97.3



25.3046.97.3

